



# WP Series

## Traditional LED Wall Pack

Lightstat's LED Wall Packs are ideal for outdoor perimeter and area lighting. The vandal resistant lens provides extra security in any environment.



### KEY FEATURES

#### ILLUMINATION:

- Philips LED
- Available in 4000K and 5000K color temperatures
- Reflective light back panel for maximum light distribution
- 120 or 277 volt photocell available

#### ELECTRICAL:

- Universal 100VAC–277VAC
- 91% Driver efficiency
- Power Factor:  $\geq 0.9$
- CRI:  $>80$
- 50,000 Hour rated lamp life

#### MOUNTING:

- Back plate wall mounting bracket

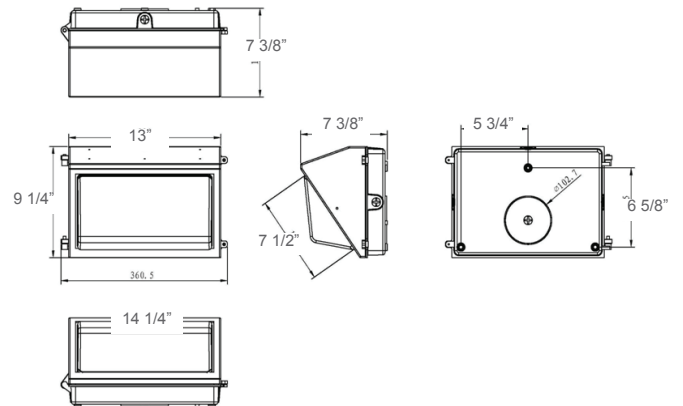
#### HOUSING:

- Die-cast aluminum housing with durable dark bronze powder coat finish
- Tempered glass lens with seamless silicone gasket
- Dark sky glare shield included

#### WARRANTY/LISTING:

- cULus listed for wet locations (-4°F–104°F)
- IP65 rated
- DLC approved
- Tested to UL1598, UL8750 and IEC60598 safety norms
- \*5 year warranty on all electronics and housing

#### DIMENSIONS:



Wattage	Lumens	No. of LEDs
30W	2500	36
60W	5211	66
80W	7335	96
120W	9942	176

### ORDERING INFORMATION

Example: MODEL-WATTAGE-COLOR TEMP-OPTIONS  
i.e., "WP-30W-5K-NO"

MODEL	WATTAGE	COLOR TEMP	OPTIONS
WP	30W	4K	PC1 120V Photocell
	60W		PC2 277V Photocell
	80W	5K	NO No Photocell
	120W		

Specification is subject to change.

\*Warranty does not apply to installation errors, natural disasters, and/or abuse.

