



# SFL Series

## 12 Watt LED Landscape Security/Flood Light

Lightstat's fully adjustable 12 Watt single-LED Landscape/ Security Floodlight is perfectly suited for a variety of lighting applications including wet location pathways, signage and general site lighting.



### KEY FEATURES

#### ILLUMINATION:

- CREE CXA Series LED provides 800 lumens
- Available in 3000K and 5000K color temperatures
- Fluted reflector for consistent light distribution

#### ELECTRICAL:

- Universal 100VAC–277VAC
- 85% Driver efficiency
- 50,000 Hour rated lamp life
- Power factor: >0.9
- CRI: >70

#### MOUNTING:

- Ground stake or circular mounting base options available

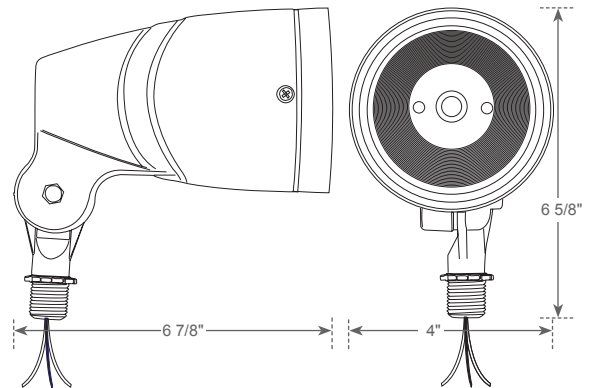
#### HOUSING:

- Die-cast aluminum housing with durable dark bronze powder coat finish
- Tempered glass lens with seamless silicone gasket
- Isolated driver compartment for improved thermal control

#### WARRANTY/LISTING:

- Tested to UL1598, UL8750 and IEC60598 safety norms
- DLC approved
- IP65 Rated
- \*5 year warranty on all electronics and housing
- cULus listed for wet locations (-4°F–104°F)

#### DIMENSIONS:



#### MOUNTING OPTIONS:



Ground Stake/Spike  
**GS**



Circular Mounting Base  
**CMB**

### ORDERING INFORMATION

Example: MODEL-WATTAGE-COLOR TEMP-MOUNTING OPTIONS  
i.e., "SFL-12W-3K-GS"

| MODEL | WATTAGE | COLOR TEMP | MOUNTING OPTIONS |                        |
|-------|---------|------------|------------------|------------------------|
| SFL   | 12W     | 3K         | GS               | Ground Stake/Spike     |
|       |         | 5K         | CMB              | Circular Mounting Base |
|       |         |            | NO               | No Options             |

Specification is subject to change.

\*Warranty does not apply to installation errors, natural disasters, and/or abuse.

