



MAL Series

Medium Multi-Purpose

30W LED Area Light

Lightstat's multi-purpose architectural LED area lights are ideal for illuminating parking lots, loading docks, doorways and pathways.



KEY FEATURES

ILLUMINATION:

- Lumileds LED provide 2899 lumens
- Available in 4000K and 5000K color temperature

ELECTRICAL:

- Universal 100VAC–277VAC
- 50,000 Hour rated lamp life
- 88% Driver efficiency
- Towin LED Driver Manufacturer
- CRI: >80

MOUNTING:

- Available with adjustable yolk mount or adjustable, heavy duty die-cast knuckle mount with 1/2" NPS stem with locking nut

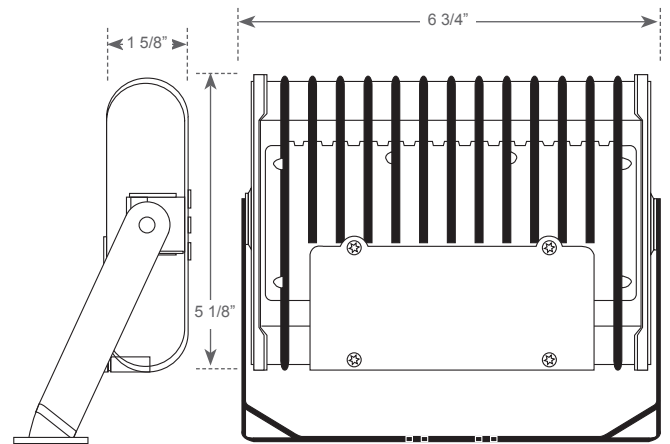
HOUSING:

- Die-cast aluminum housing with durable dark bronze powder coat finish
- Polycarbonate light cover

WARRANTY/LISTING:

- cULus listed for wet locations (-22°F–104°F)
- DLC approved
- IP65 Rated
- Tested to UL1598, UL8750 and IEC60598 safety norms
- *5 year warranty on all electronics and housing

DIMENSIONS:



MOUNTING OPTIONS:



Yolk Mount
YM



Knuckle Mount
KM

ORDERING INFORMATION

Example: MODEL-WATTAGE-COLOR TEMP-MOUNTING OPTIONS
i.e., "MAL-30W-5K-KM"

MODEL	WATTAGE	COLOR TEMP	MOUNTING OPTIONS	
MAL	30W	4K	YM	Yolk Mount
		5K	KM	Knuckle Mount

Specification is subject to change.

*Warranty does not apply to installation errors, natural disasters, and/or abuse.

