



# Traditional Style Thermoplastic LED Emergency Unit

## KEY FEATURES

### ILLUMINATION:

- Long lasting, efficient, ultra bright white LED lamp heads
- 1W (8 LEDs x 0.125 watts) per head
- High performance chrome-plated metallized reflector and plastic lens for optimal light distribution
- Adjustable LED lamp heads provide optimal center-to-center spacing. High-lumen option available for increased center-to-center spacing

### ELECTRICAL:

- Dual 120/277VAC standard. Optional 120/347VAC (for Canada) and multi-tap 208/220/240VAC available
- Charge rate/power "ON" LED indicator light and push-to-test switch for mandated code compliance testing
- 3.6V long life, maintenance-free, rechargeable NiCd battery
- Internal solid-state transfer switch automatically connects the internal battery to LED lamp heads for minimum 90-minute emergency illumination
- Fully automatic solid-state, two rate charger initiates battery charging to recharge a discharged battery in 24 hours

### MOUNTING:

- Surface mount via easy connect back plate, which fits most standard junction boxes and snaps into place making internal electrical connections
- Top and side knockout for conduit applications
- Suitable for wall or ceiling mount

### HOUSING:

- Injection-molded, engineering grade, 5VA flame retardant, high-impact resistant, thermoplastic in white or black finish

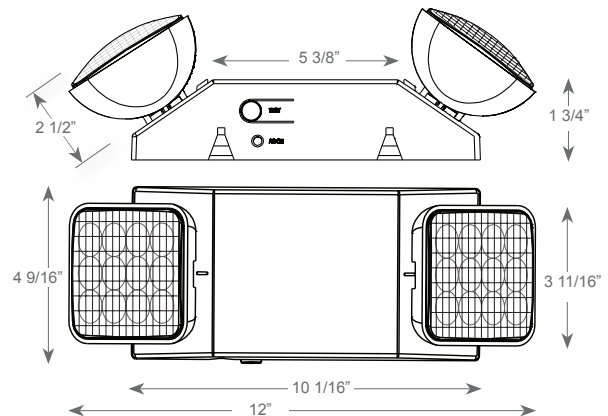
### OPTIONS:

- **SD:** Self-diagnostic feature performs monthly, biannual, and annual tests to ensure reliable operation and meet electrical and life safety codes
- **HL:** 12-LEDs per head provide increased center-to-center spacing
- **SPV:** UL Listed for special voltage option

### WARRANTY / LISTING:

- \*5 year warranty on all electronics and housing. Batteries pro rated for 5 years
- UL (standard)/CSA (optional) listed for damp locations (32°F–122°F)
- Meets UL924, NFPA 101 Life Safety Code, NEC, OSHA, Local and State Codes

### DIMENSIONS:



## ORDERING INFORMATION

Example: "TEM-W-SPV-SD"

MODEL	HOUSING COLOR		OPTIONS	
TEM	W	White	SD	Self-diagnostics
	B	Black	SPV	208/220/240VAC, 50/60Hz
			HL	High-Lumen

Specification is subject to change.

\*Warranty does not apply to installation errors, natural disasters, and/or abuse.

