



RCL Series

4 Inch Recessed LED Retrofit Kit

Lightstat's energy efficient recessed LED retrofit kit provides bright, even illumination in an attractive and easy to install design.



KEY FEATURES

ILLUMINATION:

- Long life LEDs with up to 50,000 hours at 70% lumen maintenance
- Uses 1.2 watts high power, high quality LEDs
- Choice of 2700K (± 200), 3000K (± 200), 4000K (± 200) or 5000K color temperature 80 CRI
- Produces 550–730 lumens output from luminaire
- CRI: >80

ELECTRICAL:

- Built-in LED driver
- Includes Socket Adapter
- Save 75% compared to incandescent sources
- Down to 10% dimmable with most dimmers
- Voltage: 120V, 50/60 Hz
- Operation Temperature of 32°F–104°F
- Power Consumption: 8 Watts

MOUNTING:

- Easy installation with integral clips
- No tools required for installation

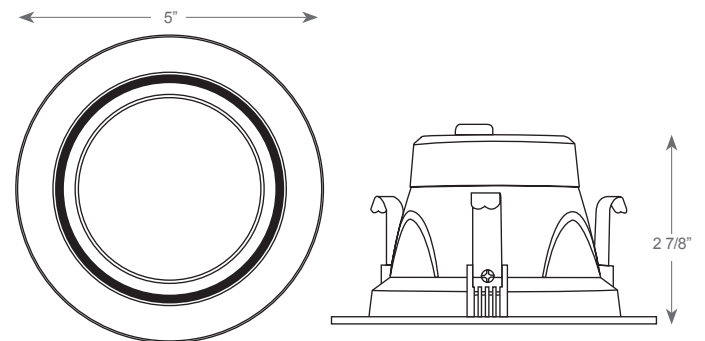
HOUSING:

- Compatible with most 4" recessed cans
- Durable thermoplastic construction
- E26 medium screw-base Edison connector provides easy retrofit of incandescent housings
- Compatible with insulated, non-insulated and air-tight ceilings

WARRANTY/LISTING:

- Tested in accordance with IESNA LM79 & LM80
- ETL Listed for wet locations
- Energy Star qualified
- Passes FCC Class A and Class B
- Meets State of California Title 24 requirements
- *5 year warranty on all electronics and housing

DIMENSIONS:



Kelvin Rating		Lumens
2.7K	2700K	550
3K	3000K	630
4K	4000K	665
5K	5000K	730

ORDERING INFORMATION

Example: MODEL-TRIM/BAFFLE-COLOR TEMP
i.e., "RCL4-BW-3K"

MODEL	TRIM / BAFFLE		COLOR TEMP	
	RCL4	BW	White Baffle	2.7K
			3K	3000K
			4K	4000K
			5K	5000K

Specification is subject to change.

*Warranty does not apply to installation errors, natural disasters, and/or abuse.

